

V-BOX-IC se Installation instructions

Tools to Prepare

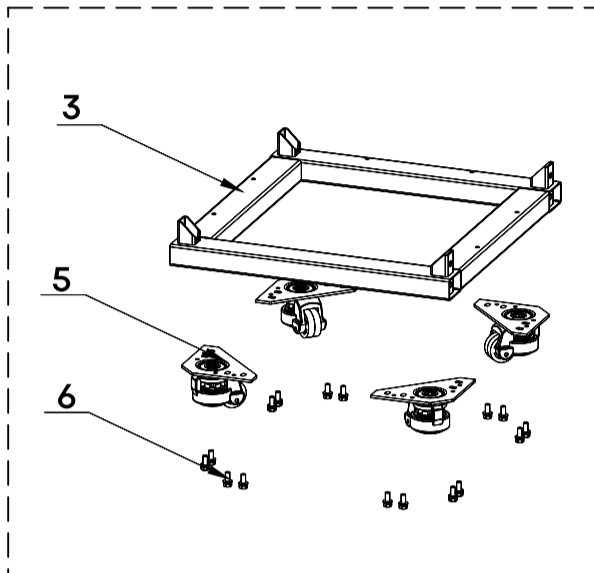


hex key



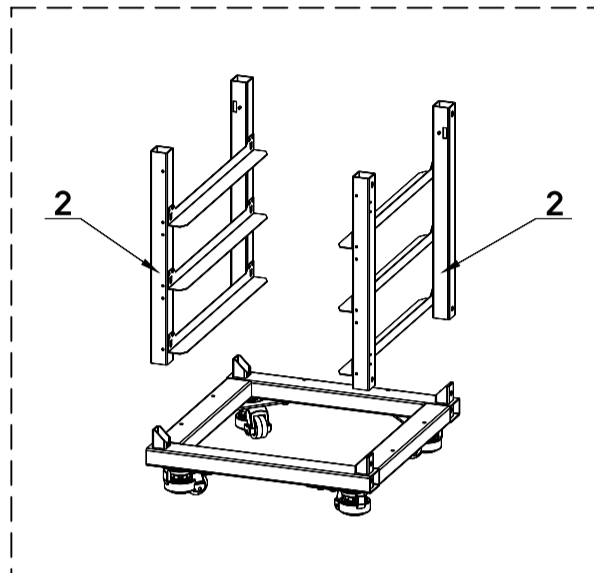
socket spanner

Step 1



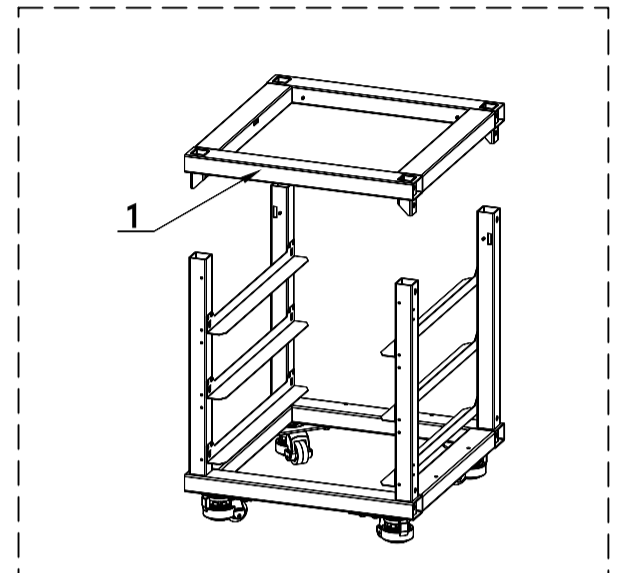
Fasten wheels to bottom rack with M8 screws

Step 2



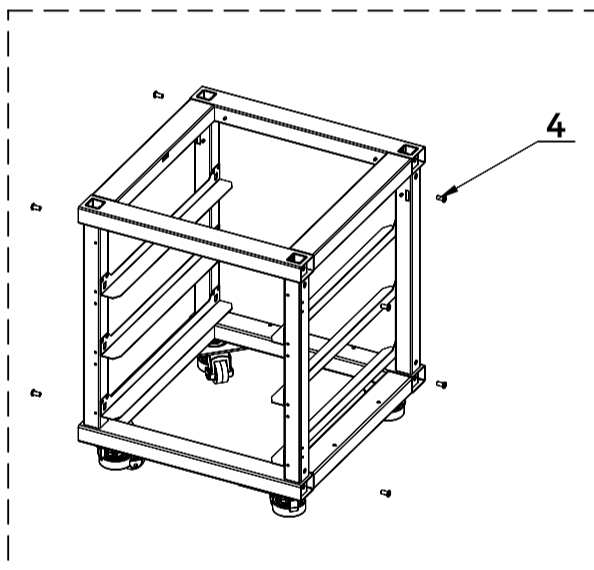
Align side racks to the bottom rack

Step 3



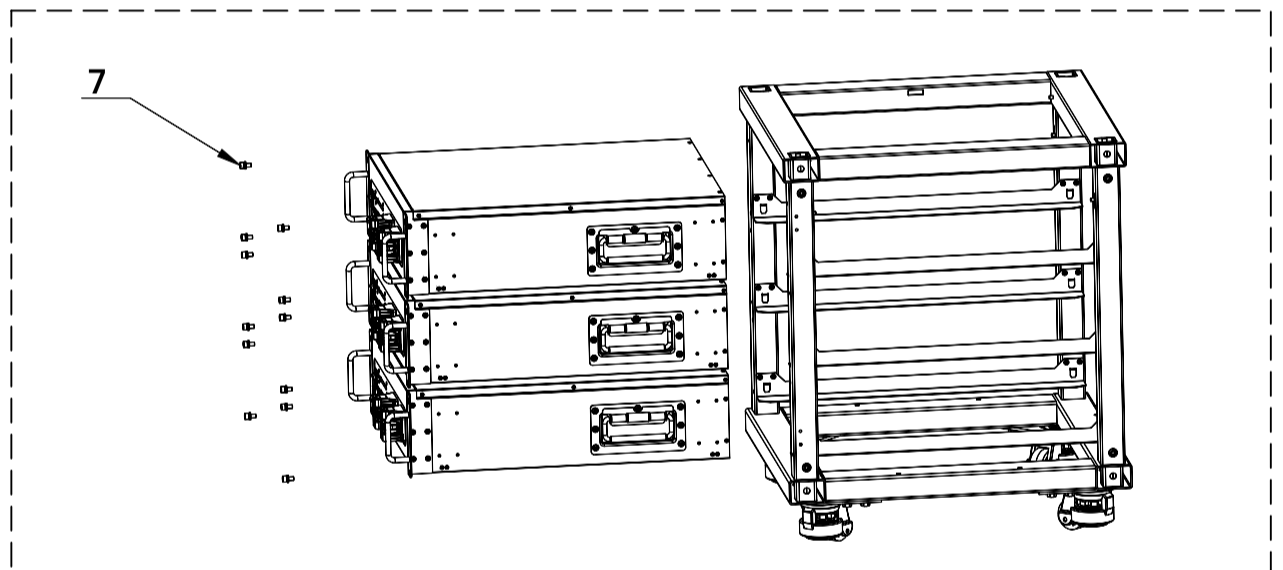
Align the top rack

Step 4



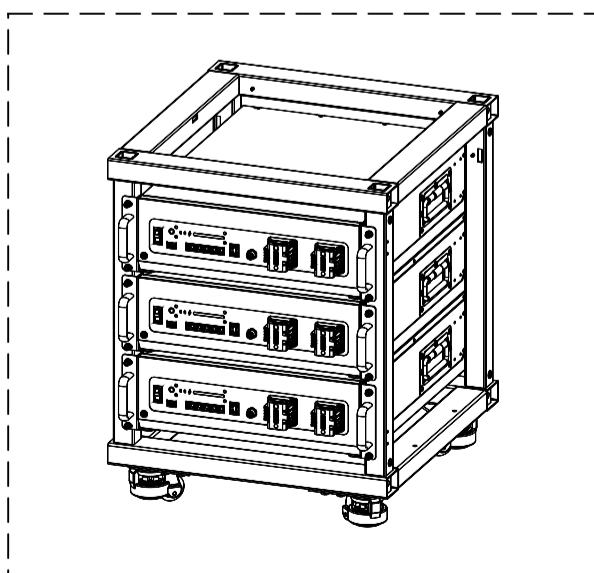
Fasten the racks to each other with M8 screws

Step 5



Place and fix batteries to the rack with M6 screws

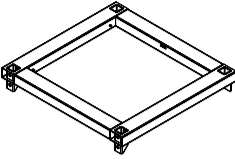
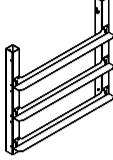
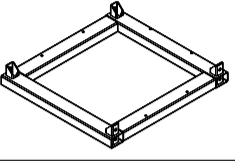

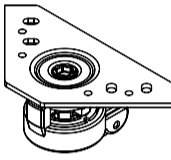




Step 6



Cabling

Remarks: Numbers indicated in each picture are corresponding to stuff in packing list.

Packing List

No.	Item	Quantity	Specification	Picture
1	Top frame	1pcs	21.0' ' x22.2' ' x3.2' ' (533x565x80mm)	
2	Side frame (Left=Right)	2pcs	21.5' ' x18.9' ' x3.2' ' (545x480x80mm)	
3	Bottom frame	1pcs	21.0' ' x22.2' ' x3.2' ' (533x565x80mm)	
4	Screw	12pcs	M8 (#5 Inner hexagon nut hole)	
5	Wheel	4pcs	YS-60T	
6	Screw	16pcs	M8(with gasket)	
7	Screw	12pcs	ISO 10644G-2014 M6x12 (0.4' ')	
8	Ribbon	2pcs	F07	
9	Warning Labels	1pcs	2.0' ' x3.9' ' (50mmx100mm)	
10	Cabinets Connect Tube	4pcs	1.0' ' x1.0' ' x4.2'' (26x26x106mm)	