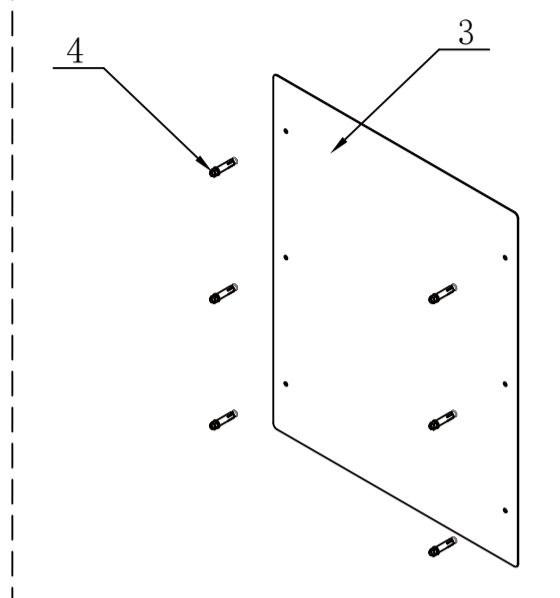


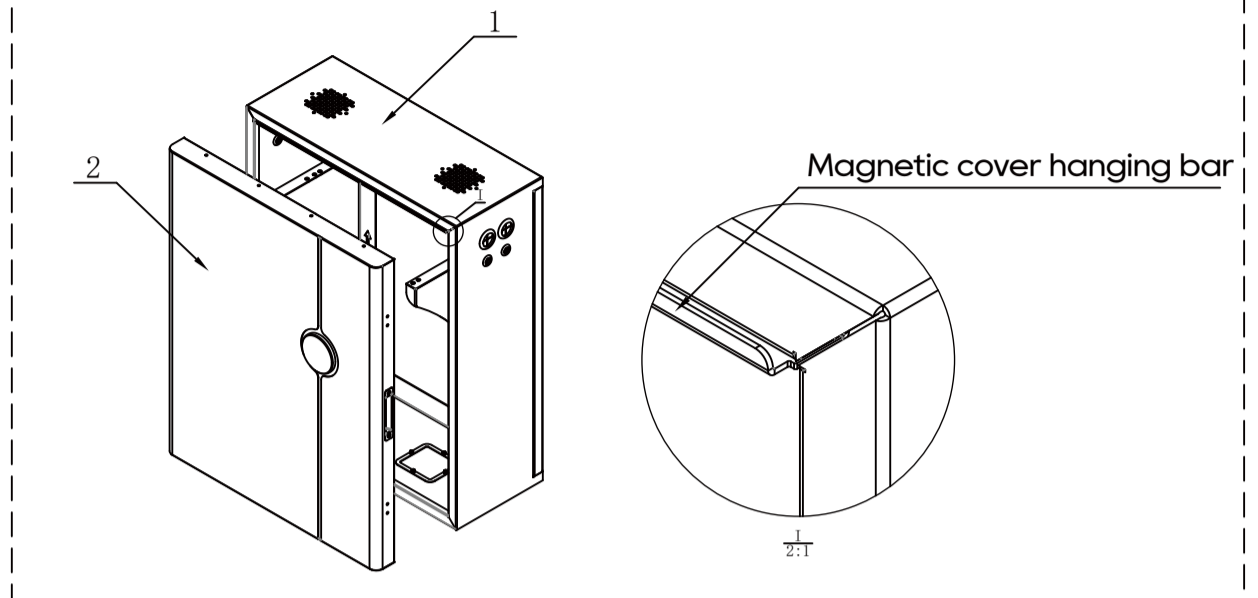
VR-BOX-IC Installation Instructions

Step 1



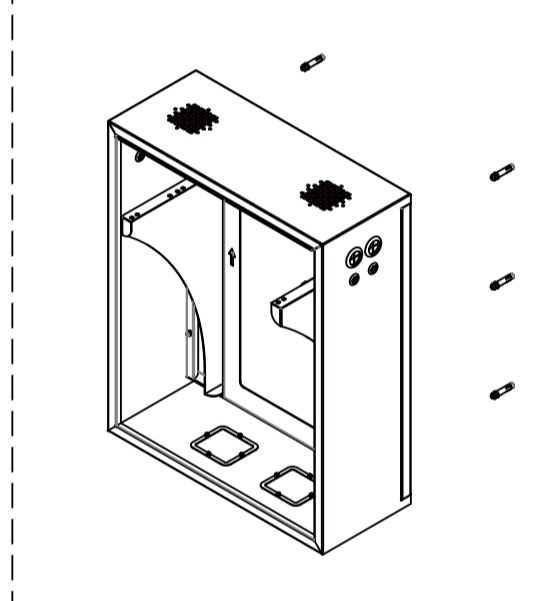
Use positioning board to determine installation position of the cabinet. Drill and install the expansion screws.

Step 2



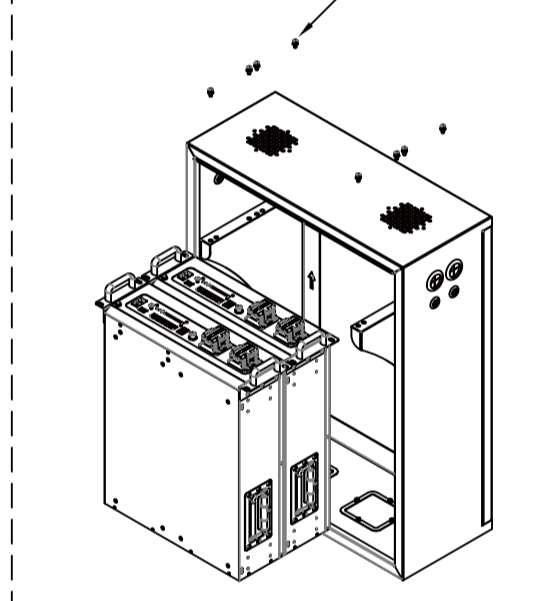
Lift upwards and pull it to remove the magnetic cover from main cabinet.

Step 3



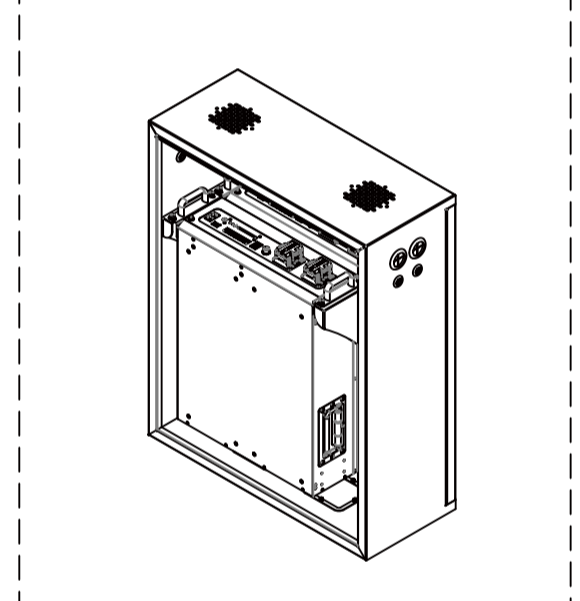
Install the main cabinet to wall by securing to the expansion screws.

Step 4



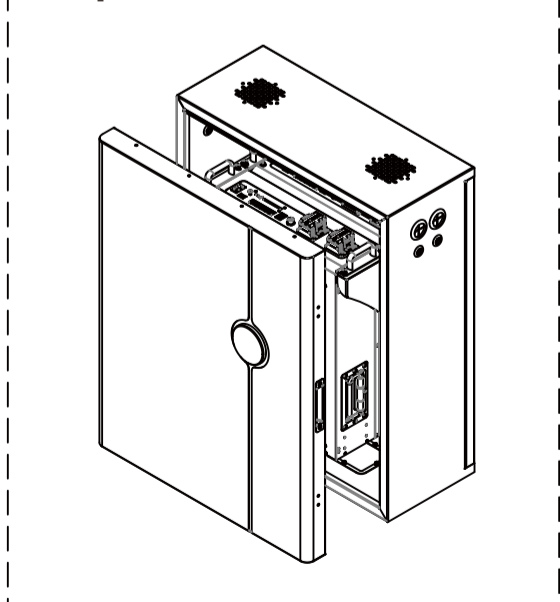
Place and fix the batteries in cabinet with screws.

Step 5



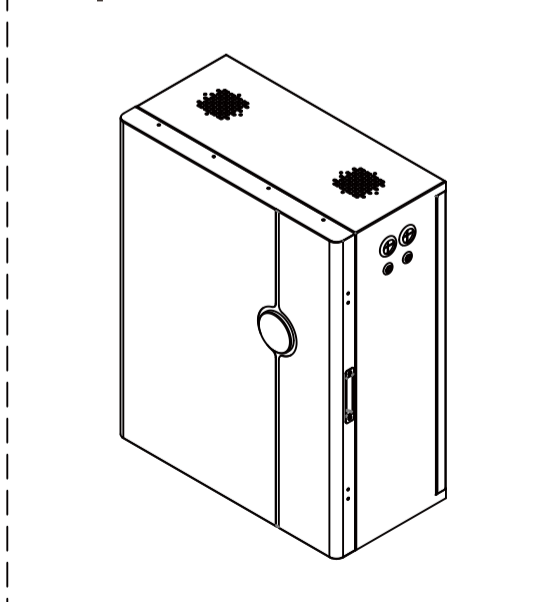
Cabling.

Step 6



Align the sides of magnetic cover to main cabinet then place downwards.

Step 7



Installation complete.

Packing List

NO.	Items	Quantity	Specifications	Pictures
1	Main Cabinet	1 pcs	26.8"x12.8"x33.5" 681x325x851mm	
2	Magnetic Cover	1 pcs	26.8"x2.3"x33.5" 681x60x851mm	
3	Positioning Board	1 pcs	26.3"x33.1"x0.06" 670x840x1.5mm	
4	Expansion Screw	6 pcs	GB/T 22795(TCQ)-2008 M8x2.0"(50mm)	
5	M6 Screw	8 pcs	ISO 10644G-2014 M6x0.5"(12mm)	
6	Warning label	1 pcs	2.0"x3.9" 50mmx100mm	
Tools to Prepare				
				
Drive Socket		Pen		Drill