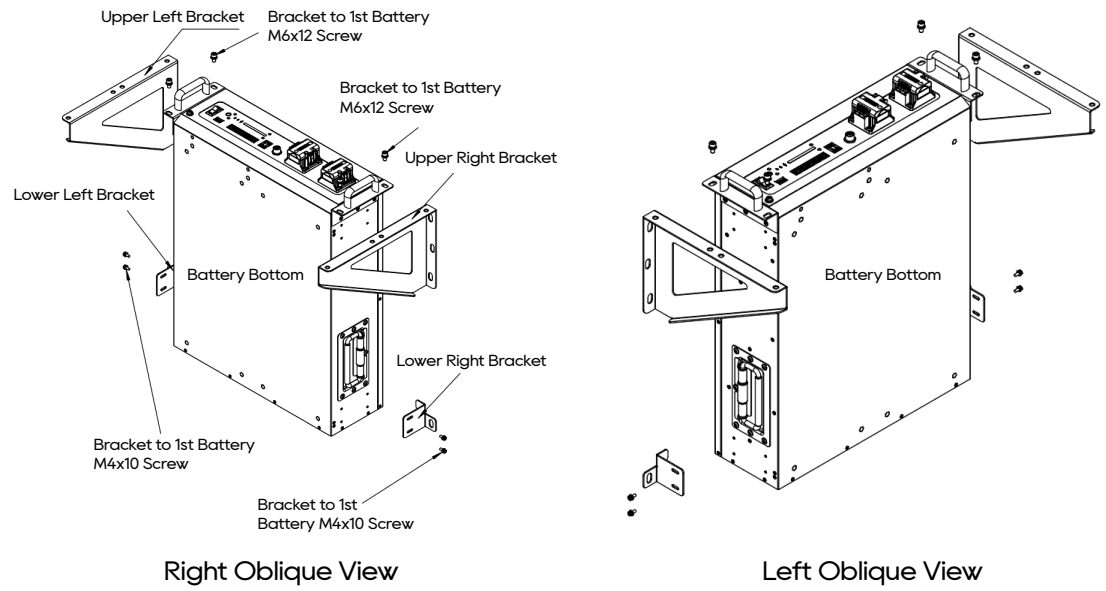
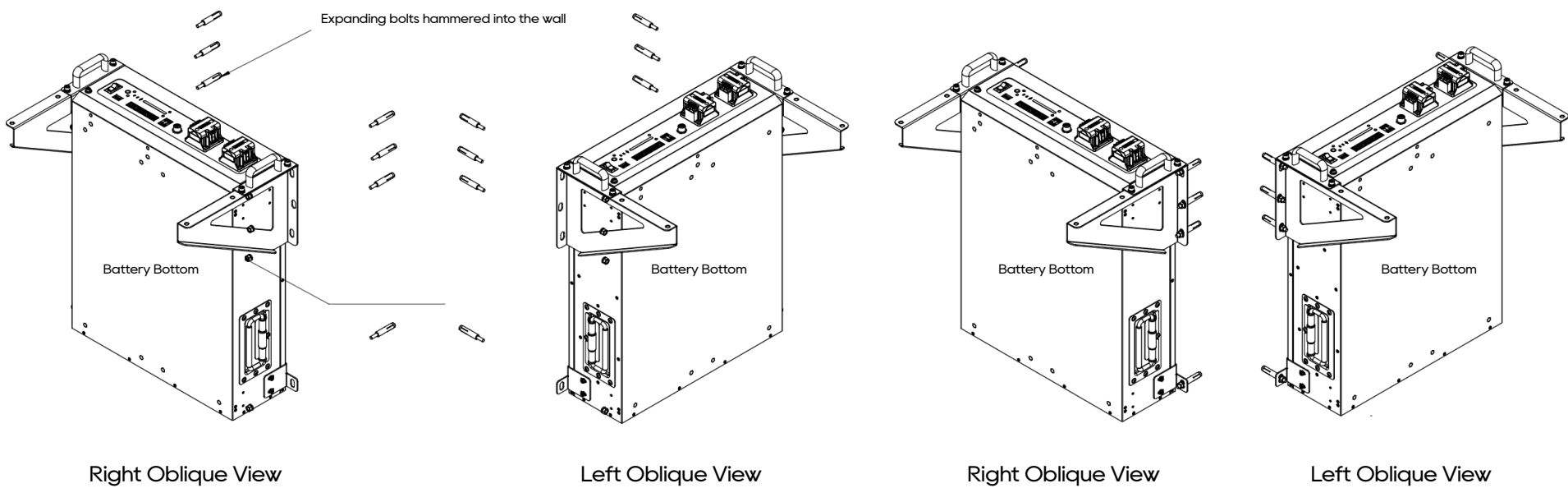


# V5 BK2 Installation instructions

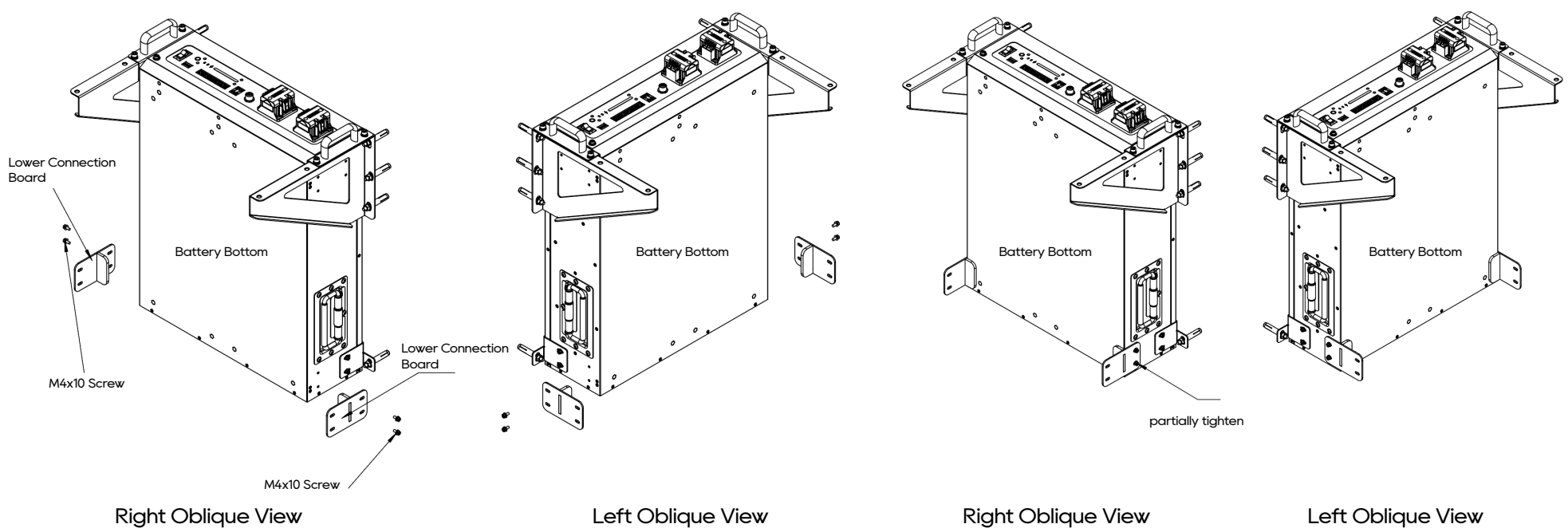
1. Install the brackets to first Battery. Battery top cover where the labels are pasted should go to wall, and battery bottom faces outside. Refer to the multi-angled pictures to determine and align the 4 brackets to their right positions.



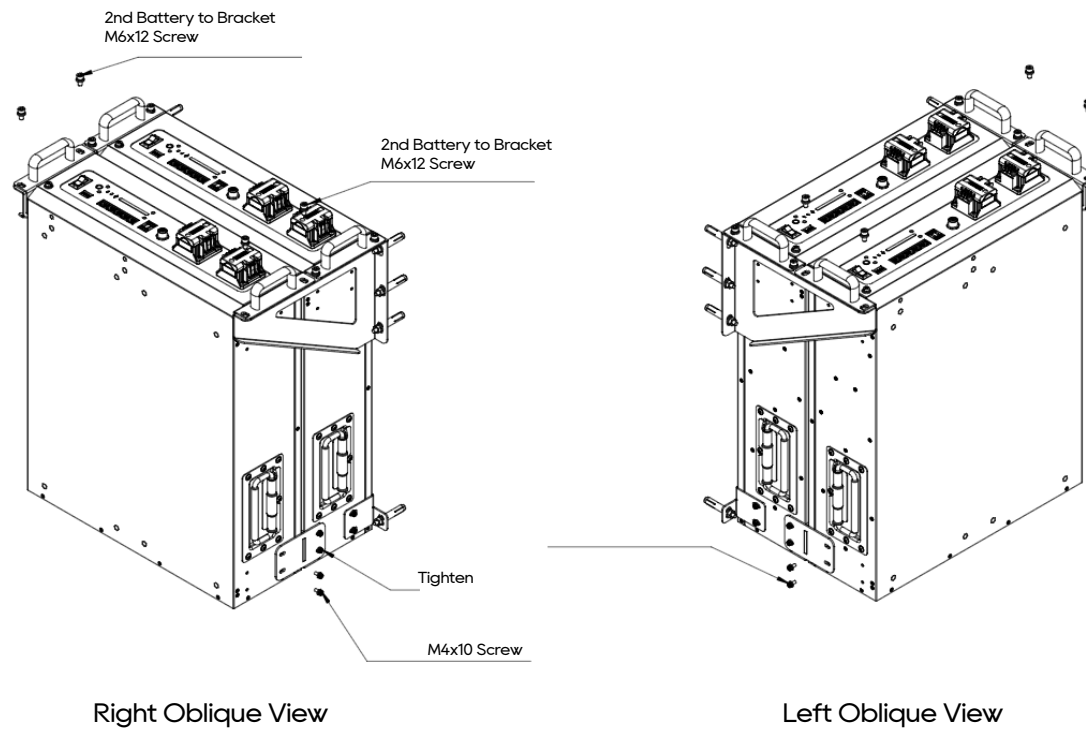
2. Install the first battery to wall



3. Install connection boards to first battery



## 4. Install the 2nd battery



## Packing List

No.	Code	Item	QTY	Specification	Picture	Remarks
1	150215100215	Upper Right Bracket	1	27x187x291mm 1.06x7.36x11.46inch (WxHxD)		Connect two batteries at Upper position, then to wall
2	150215100233	Upper Left Bracket	1	27x187x291mm 1.06x7.36x11.46inch (WxHxD)		Connect two batteries at Upper position, then to wall
3	150215100217	Lower Right Bracket	1	53x50x60mm 2.09x1.97x2.36inch (WxHxD)		Connect 1st battery, then to wall
4	150215100220	Lower Left Bracket	1	53x50x60mm 2.09x1.97x2.36inch (WxHxD)		Connect 1st battery, then to wall
5	150215100224	Connection Board	2	27.5x60x100mm 1.08x2.36x3.94inch (WxHxD)		Connect 2nd battery to 1st battery at lower position
6		M6x0.5"(12mm) Hexagonal cylindrical screw	8	ISO 10644G-2014		Upper Right & Left Brackets to 2 batteries
7		M4x0.4"(10mm) External hexagonal cross screw	12	GB/T 70.3-2000		4pcs - Lower Left & Right Brackets to 1st battery 4pcs - Connection Board to 1st battery 4pcs - Connection Board to 2nd battery
8		M8x2.0""(50mm) Expansion Screw	8	GB/T 22795(TCQ)-2008		6pcs - Upper Right & Left Bracket to wall 2pcs - Lower Right & Left Brackets to wall

Tools to Prepare

