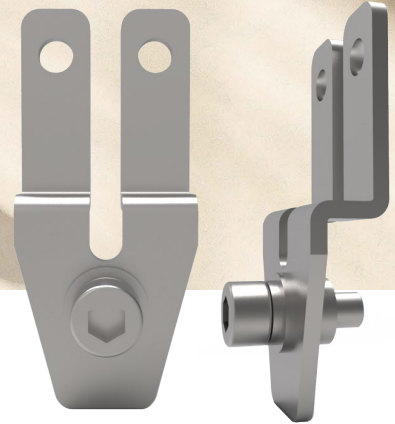


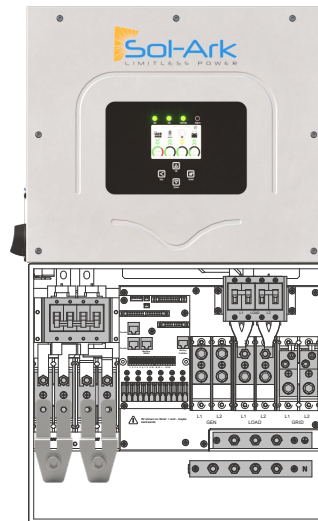
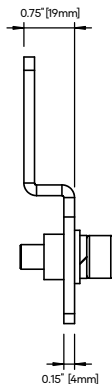
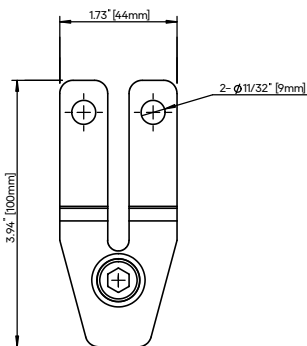
V Bubar-SA15K



V Bubar-SA15K Specs

Material	Nickel-plated Copper
Ampacity	300A
Dimension	3.94 * 1.73 * 0.75 inch
Weight	0.37 lbs per piece
Compatibility	Sol-Ark 15K

Diagram



Pytes

PYTES (USA) ENERGY, INC

Address: 920 S Holgate St, STE 106, Seattle, Washington, 98134 USA

Site: www.pytesusa.com

Email: pytesusa@pytesgroup.com



More Catalogs



LinkedIn



Facebook



YouTube



www.pytesusa.com

Pytes