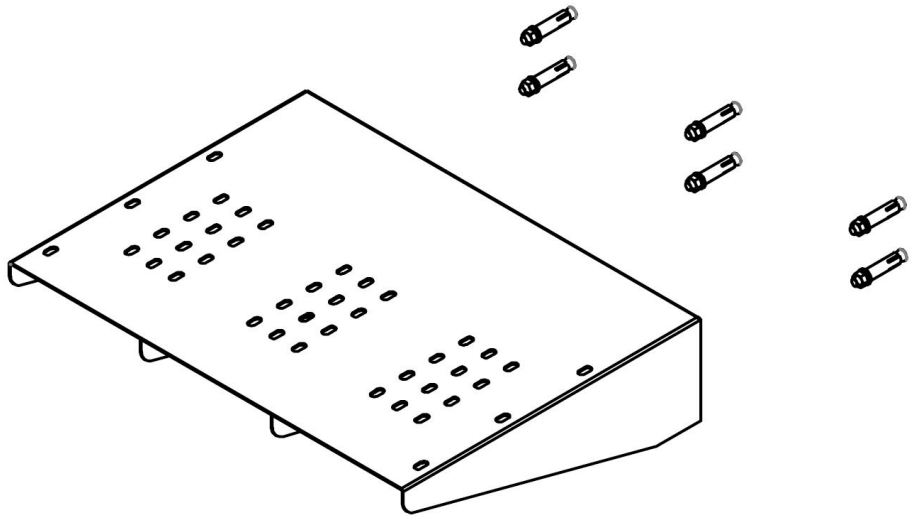


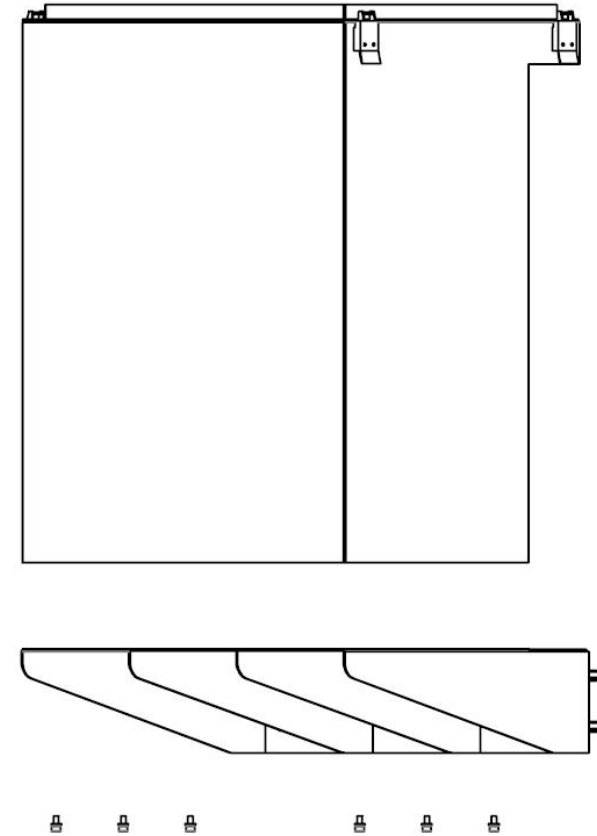
R-BOX-IP64 Installation Guide



① Fix the base onto the wall with 6 expansion bolts

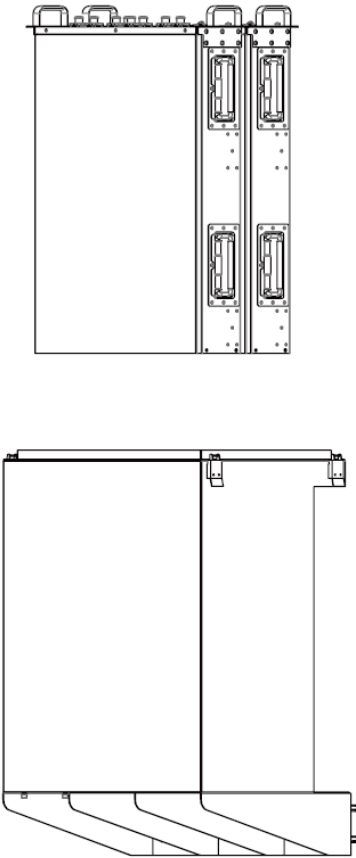


② Connect main cabinet to the base and fasten with 6 screws

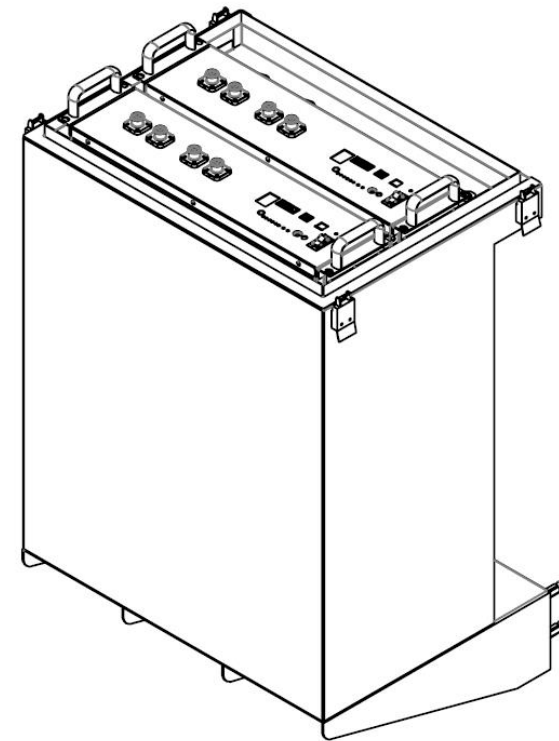


45 Degree Angle View

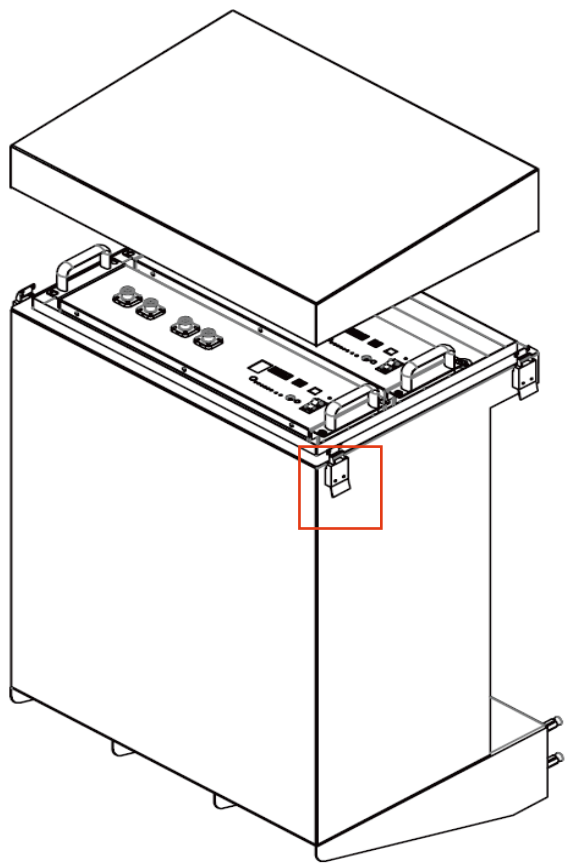
③ Assembling Batteries into Cabinet



④ System Cabling



- ⑤ Assemble the upper cover and fix to cabinet with clips



- ⑥ Finish

